



Composites Fixtures

A comprehensive array of polymer matrix composites accessories

COMPOSITES FIXTURES

MTS complements its electromechanical and servohydraulic testing lines with a comprehensive array of accessories to fulfill a full spectrum of polymer matrix composites material testing – from basic quality control, to demanding research and development applications.

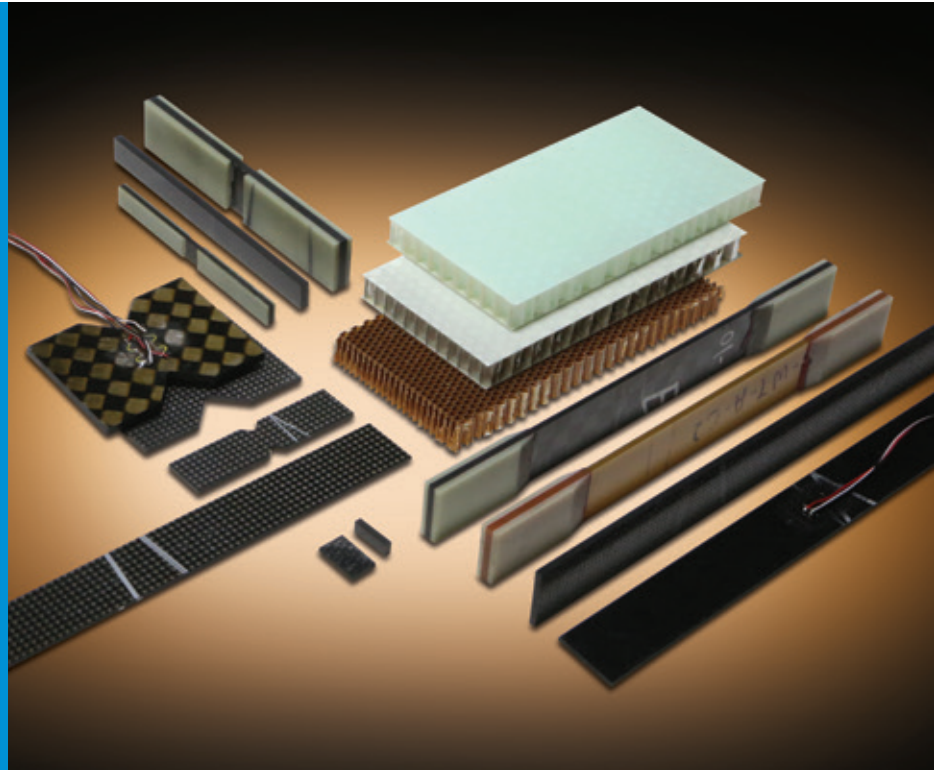


Table of Contents

Polymer Matrix Composites Fixtures Standard Index	3
Model 647 Side-Loading Hydraulic Wedge Grips	4
Wedges for Series 647 Wedge Grips	5
MTS Advantage™ Wedge Action Grip	6
Modified Celanese Compression Loading Fixture	7
IITRI Compression Loading Fixture	7
Combined Loading Compression (CLC) Test Fixture	8
V-Notched Rail Shear Test Fixture	8
V-Notched Beam (Iosipescu) Shear Fixture	9
Short Beam Shear and Three-Point Flexure Fixture	9
Bend Fixtures	10
MTS Exceed 3-Point Bend Fixtures	11
Mixed Mode Bending Fixture	12
Open / Filled Hole Compression Fixture	12
Compression After Impact Test Fixture	13
Flatwise Plane Shear Fixture, Tensile Mode	13
Flatwise Plane Shear Fixture, Compression Mode	14
Climbing Drum Peel Fixture with Roller Type Grips	14
Three- & Four-Point Sandwich Beam Flexure / Shear Fixture	15

Polymer Matrix Composites Fixtures Application Index

A Comprehensive Array of Polymer Matrix Composites /
Fibre Reinforced Plastics Accessories

CAN'T FIND WHAT YOU NEED?

We offer many more grips and fixtures. We can offer higher temperature version of many of the fixtures. Contact your local sales representative to find the model that meets your exact needs.

	Application	Test Standard	Fixture Option	See Page
Laminae & Laminate	Tensile	ISO 527-4 & 5, ASTM D3039, EN 2561, EN 2597	Model 647 Side-Loading Hydraulic Wedge Grip	4
			MTS Advantage Wedge Action Grips	6
	Compression	ISO 14126 Method 1A ISO 14126 Method 1B ASTM D3410 ASTM D6641	Modified Celanese Compression Loading Fixture	7
			IITRI Compression Loading Fixture	7
			Combined Loading Compression (CLC) Test Fixture	8
	Flexure	ISO 14125	Model 642.01 3- & 4-Point Bend Fixture with Roller Assembly Size 10 mm Diameter	10
			Model WA204A 3-Point Plastic Bend Fixture with Loading Edge R5 Supporting R2 or R5	11
		ASTM D7264	Model 642.01 or 642.10 3- & 4-Point Bend Fixture with Roller Assembly Size 10 mm Diameter	10
			Model WA204A 3-Point Plastic Bend Fixture with Loading Edge & Supporting R5	11
		EN 2562	Model 642.10 3- & 4-Point Bend Fixture with Roller Assembly Size 25 mm (loading) & 10 mm (support) Diameter	10
		EN 2746	Model 642.01 3- & 4-Point Bend Fixture with Roller Assembly Size 10 mm (loading) & 4 mm (support) Diameter	10
			Model WA204A 3-Point Plastic Bend Fixture with Loading Edge R5 Supporting R2	11
		Shear	ISO 14129, ASTM D3518 ASTM D5379 ASTM D7078	Model 647 Side-Loading Hydraulic Wedge Grips
	MTS Advantage Wedge Action Grips			6
	V-Notched Beam (Iosipescu) Shear Fixture			9
	V-Notched Rail Shear Test Fixture			8
	Interlaminar Shear	ISO 14130 ASTM D2344 EN 2377	Short Beam Shear and Three-Point Flexure Fixture	9
			Model WA204A with Loading Edge R5 Supporting R2	11
			Short Beam Shear and Three-Point Flexure Fixture	9
			Model WA204A with Loading Edge R5 Supporting R2	11
	Fracture Mechanics	ASTM D6671	Mixed Mode Bending Fixture	12
	Fatigue (tension / tension)	ISO 13003, ASTM D3479	Model 647 Side-Loading Hydraulic Wedge Grip	4
Structural	Tension (open & filled hole)	ASTM D5766, ASTM D6742, ASTM D7615	Model 647 Side-Loading Hydraulic Wedge Grip	4
	Compression (open & filled hole)	ASTM D6484, ASTM 6742, BS 07260, ASTM D7615	Open / Filled Hole Compression Fixture	12
	Compression After Impact	ASTM D7137	Compression After Impact Test Fixture	13
Sandwich Structures	Tension	ASTM C273, ASTM C394	Flatwise Plane Shear Fixture, Tensile Mode	13
	Compression	ASTM C273, ASTM C394	Flatwise Plane Shear Fixture, Compression Mode	14
	Flexure / Shear	ASTM D5467, ASTM C393, ASTM D7249, ASTM D7250	Three- & Four-Point Sandwich Beam Flexure / Shear Fixture	15
Adhesives	Peel	ASTM D1781	Climbing Drum Peel Fixture	14

Model 647 Side-Loading Hydraulic Wedge Grips

The MTS 647 Hydraulic Wedge Grips are versatile, easy-to-load grips for a wide range of tensile and fatigue applications. The symmetrical housing design ensures an even specimen loading across the entire face of the wedge. The lateral movement of the wedges won't change the gripping position on the specimen once the grips are activated.

Features

- » These grips clamp onto your specimen in the same position, test after test, to minimize the bending strains that can invalidate your test results
- » Tension and fatigue capability
- » Adjustable pressure allows these grips to be used for testing a variety of materials
- » A wide variety of wedges are available to meet your requirements
- » Side loading capability for easy specimen insertion

All Temperature – These models allow for temperatures to 540°C (1000°F)

Contact MTS for additional information.



Model 647 Grip Recommended for Polymer Matrix Composites Testing

	Method	Standard
Laminae & Laminate	Tensile	ISO 527-4 & 5, ASTM D3039, EN 2561, EN 2597
	Shear	ISO 14129, ASTM D3518
	Fatigue (tension / tension)	ISO 13003, ASTM D3479
Structural	Tension (open & filled hole)	ASTM D5766, ASTM D6742, ASTM D7615

For use on non-hydraulic load frames or for temperature applications below -7°C (20°F) or above +66°C (+150°F) stand-alone hydraulic grip supply and extension rods are required, refer to SERVICES & ACCESSORIES catalog for details.

All grips are sold as pairs.

All wedges and attachment kits are sold separately.

Model	Dynamic Force	Static Force	Pressure	Temperature Min/Max	Overall Height	Diameter	Weight	Metric/US Customary Stud Size	Part Number
647.10A	100 kN (22 kip)	120 kN (27 kip)	21 MPa (3000 psi)	-40°C/177°C (-40°F/350°F)	188 mm (7.4 in)	203 mm (8.0 in)	30 kg (67 lb)	M27 x 2 (1 - 14 in)	047-080-605
647.25A	250 kN (55 kip)	333 kN (75 kip)	69 MPa (10,000 psi)	-40°C/177°C (-40°F/350°F)	249 mm (9.8 in)	266 mm (10.5 in)	77 kg (170 lb)	M36 x 2 (1 1/2 - 12 in)	047-080-905

Wedges for 647 Wedge Grips Offer a Variety of Surfaces

MTS Wedges Surfaces

- » Diamond tip steel – aggressive surface for gripping soft materials (steel, plastic)
- » Surfalloy – grit incorporated onto the wedge surface for testing brittle samples

MTS employs a unique wedge design that significantly reduces the stress concentration on the specimen, enabling even very brittle composites to be gripped securely without grip-induced failure.

Model 647 All-Temperature Wedges are available for the all-temperature grips.

Contact MTS for additional information.



Flat Specimen Wedges for Model 647.10 Grips Recommended for Polymer Matrix Composites Testing

Surface	Specimen Thickness	Usable Width	Part Number
Diamond tip steel	0–7.6 mm (0–0.3 in)	44 mm (1.75 in)	041-842-101
Diamond tip steel	7.1–14.2 mm (0.28–0.56 in)	44 mm (1.75 in)	041-842-102
Diamond tip steel	11.7–19.1 mm (0.46–0.75 in)	44 mm (1.75 in)	041-842-109
Wide diamond tip steel	0–7.6 mm (0–0.3 in)	76 mm (3.0 in)	046-198-604
Wide diamond tip steel	7.1–14.2 mm (0.28–0.56 in)	76 mm (3.0 in)	046-198-603
Surfalloy	0–7.9 mm (0–0.31 in)	44 mm (1.75 in)	041-842-108
Surfalloy	7.1–14.2 mm (0.28–0.56 in)	44 mm (1.75 in)	041-842-111
Surfalloy	11.7–19.1 mm (0.46–0.75 in)	44 mm (1.75 in)	041-842-121
Wide surfalloy	0–7.6 mm (0–0.3 in)	76 mm (3.0 in)	046-198-602
Wide surfalloy	7.1–14.2 mm (0.28–0.56 in)	76 mm (3.0 in)	046-198-601

Insertion depth: 63.5 mm (2.5 in)

Temperature range: -40°C (-40°F) to 177°C (350°F)

Flat Specimen Wedges for Model 647.25 Grips Recommended for Polymer Matrix Composites Testing

Surface	Specimen Thickness	Usable Width	Part Number
Diamond tip steel	1-11.9 mm (0.04-0.47 in)	50 mm (2.0 in)	041-842-201
Diamond tip steel	6.1-17 mm (0.24-0.67 in)	50 mm (2.0 in)	041-842-202
Diamond tip steel	15-25.9 mm (0.59-1.02 in)	50 mm (2.0 in)	041-842-203
Wide diamond tip steel	1-11.9 mm (0.04-0.47 in)	102 mm (4.0 in)	046-198-804
Wide diamond tip steel	15-25.9 mm (0.59-1.02 in)	102 mm (4.0 in)	046-198-805
Wide diamond tip steel	6.1-17 mm (0.24-0.67 in)	102 mm (4.0 in)	046-198-806
Surfalloy	1-11.9 mm (0.04-0.47 in)	50 mm (2.0 in)	041-842-207
Surfalloy	6.1-17 mm (0.24-0.67 in)	50 mm (2.0 in)	041-842-208
Surfalloy	15-25.9 mm (0.59-1.02 in)	50 mm (2.0 in)	041-842-209
Wide surfalloy	1-11.9 mm (0.04-0.47 in)	102 mm (4.0 in)	046-198-817
Wide surfalloy	6.1-17 mm (0.24-0.67 in)	102 mm (4.0 in)	046-198-802
Wide surfalloy	15-25.9 mm (0.59-1.02 in)	102 mm (4.0 in)	046-198-803

Insertion depth 89 mm (3.5 in)

Temperature range: -40°C (-40°F) to 177°C (350°F)

Note: Contact your local sales representative or applications engineer for wedges to support specimen thickness range of up to 35 or 40 mm.

MTS Advantage™ Wedge Action Grip

MTS Advantage Wedge Action Grips are versatile general-purpose grips in which the faces remain stationary during loading. This makes it especially useful for applications where screw or pneumatic grips do not provide sufficient clamping force, or where compressive or buckling forces are not desirable during specimen insertion. It works with servohydraulic and electromechanical machines and even accommodates the side insertion of specimens.

Features

- » Quick and easy interchangeable faces for round and flat specimens
- » Self-tightening during test reduces slipping
- » Specimen positioning aids
- » Side loading design
- » Standard pinned adapter for easy installation and removal
- » Suitable for use in environmental chambers
- » Improved serrations secure specimen with minimal clamping force



Functions

Wedges

- » Spring and mechanical retraction
- » Easy access to wedges for quick changeover

Preload

- » Uses right-hand/left-hand thread mechanism for reducing effort

Grip Interface

- » Type D upper and lower mounting (except for 300 kN).
- » 300 kN mounting is M36x2 thread

MTS Advantage Wedge Action Grips Recommended for Polymer Matrix Composites Testing

	Method	Standard
Laminae & Laminate	Tensile	ISO 527-4 (Specimen Type 1B & 2), ASTM D3039, EN 2561(Specimen Type C)
	Shear	ISO 14129, ASTM D3518
Structural	Tension (open & filled hole)	ASTM D5766, ASTM D6742, ASTM D7615

Model	Tensile Capacity	Weight	Temperature Rating	Part Number
Advantage Wedge 50	50 kN (11,240 lbf)	6.4 kg (14 lb)	-130°C (-200°F) up to 315°C (600°F) at 37 kN (8 kip)	054-951-001
Advantage Wedge 100	100 kN (22,480 lbf)	13.6 kg (30 lb)	-130°C (-200°F) up to 315°C (600°F) at 75 kN (16 kip)	056-079-801
Advantage Wedge 150	150 kN (33,000 lbf)	19.6 kg (43 lb)	-130°C (-200°F) up to 315°C (600°F) at 112 kN (24 kip)	053-536-901
Advantage Wedge 300	300 kN (67,000 lbf)	54 kg (118 lb)	-130°C (-200°F) up to 315°C (600°F) at 213 kN (48 kip)	056-144-702

Flat Specimen Wedges Recommended for Polymer Matrix Composites Testing

Compatible Grips	ForceCapacity	Profile	Specimen Range	Dimensions	Temperature Rating	Part Number
Advantage 10, 30, 50	50 kN	Sawtooth Steel	0-7.9 mm (0-0.31 in)	50 mm x 25 mm	-130°C (-200°F) to -315°C (600°F)	053-140-801
Advantage 10, 30, 50	50 kN	Sawtooth Steel	6-13.2 mm (0.23-0.52 in)	50 mm x 25 mm	-130°C (-200°F) to -315°C (600°F)	053-140-802
Advantage 100, 150, 300	300 kN	Serrated Steel	0-9 mm (0-0.35 in)	50 mm x 50 mm	-130°C (-200°F) to -315°C (600°F)	053-537-401
Advantage 100, 150, 300	300 kN	Serrated Steel	6.4-16 mm (0.25-0.63 in)	50 mm x 50 mm	-130°C (-200°F) to -315°C (600°F)	053-537-402

Modified Celanese Compression Loading Fixture

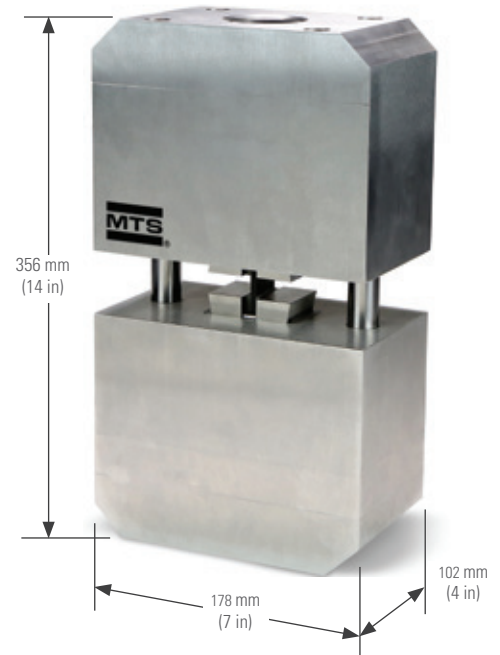
- » Recommended to test in accordance with ISO 14126 Method 1A
- » Constructed out of high quality stainless steel
- » Design based on the University of Wyoming Modified Celanese Compression Test Fixture
- » Supported specimen dimensions:
 - Maximum width: 12.7 mm (0.5 in)
 - Thickness (with tabs): 3.8 - 6.35 mm (0.15 - 0.25 in)
 - Length: 114.3 mm (4.5 in)
- » Includes wedges with flame sprayed high friction surface
- » Requires compression platens for mounting (*purchased separately*)



Static Force	Temperature Rating	Weight	Dimensions	Part Number
88 kN (20 kip)	-152 to 318°C (-240 to 600°F)	≈ 7.3 kg (16 lbs)	Ø 89 mm (3.5 in) x 191 mm (7.5 in)	100-351-817

IITRI Compression Loading Fixture

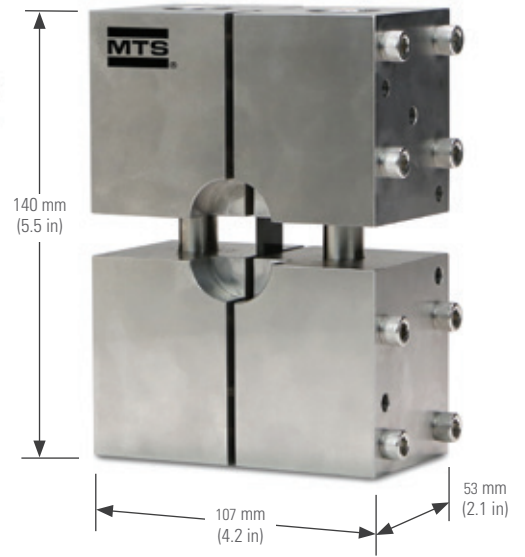
- » Recommended to test in accordance with ASTM D3410/D3410M and ISO 14126 Method 1B
- » Constructed out of high quality stainless steel
- » Supported specimen dimensions:
 - Maximum width: 25.4 mm (1 in)
 - Maximum thickness (with tabs): 15.2 mm (0.6 in)
 - Length: 140 mm (5.5 in)
- » Includes sets of wedges to accommodate specimen thicknesses from 5.1 - 10.2 mm (0.2 - 0.4 in)
Wedges that support other specimen thicknesses are available on request.
- » Requires threaded adapters or compression platens for mounting (*purchased separately*)



Static Force	Temperature Rating	Weight	Dimensions	Mounting Thread Insert Sizes	Part Number
267 kN (60 kip)	-152 to 318°C (-240 to 600°F)	≈ 36 kg (80 lbs)	178 mm (7 in) x 102 mm (4 in) x 356 mm (14 in)	M30 x 2	100-351-818

Combined Loading Compression (CLC) Fixture

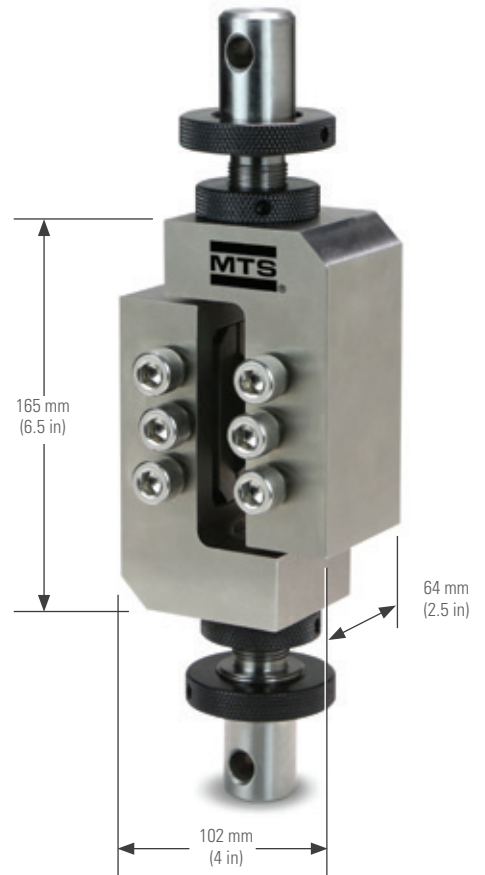
- » Recommended to test in accordance with ASTM D6641/D6641M
- » Constructed out of high quality stainless steel
- » Supported specimen dimensions:
 - Maximum width: 25.4 mm (1 in)
 - Maximum thickness (with tabs): 12.7 mm (0.5 in)
 - Length: 140 mm (5.5 in)
- » Requires compression platens for mounting (*purchased separately*)



Static Force	Temperature Rating	Weight	Dimensions	Part Number
89 kN (20 kip)	-152 to 318°C (-240 to 600°F)	≈ 6.8 kg (15 lbs)	107 mm (4.2 in) x 53 mm (2.1 in) x 140 mm (5.5 in)	100-351-819

V-Notched Rail Shear Fixture

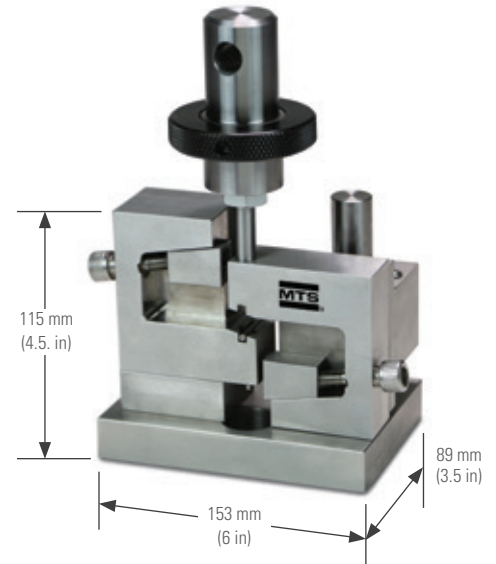
- » Recommended to test in accordance with ASTM D7078/D7078M
- » Constructed out of high quality stainless steel
- » Supported specimen dimensions:
 - Width: 55.6 mm (2.2 in)
 - Maximum thickness: 12.7 mm (0.5 in)
 - Maximum length: 76 mm (3.0 in)
- » Requires threaded adapter for top and bottom mounting (*purchased separately*)



Static Force	Temperature Rating	Weight	Dimensions	Mounting Thread Insert Sizes	Part Number
44 kN (10 kip)	-152 to 318°C (-240 to 600°F)	≈ 7.7 kg (17 lbs)	102 mm (4 in) x 64 mm (2.5 in) x 165 mm (6.5 in)	1" - 14	100-351-820

V-Notched Beam (Iosipescu) Shear Fixture

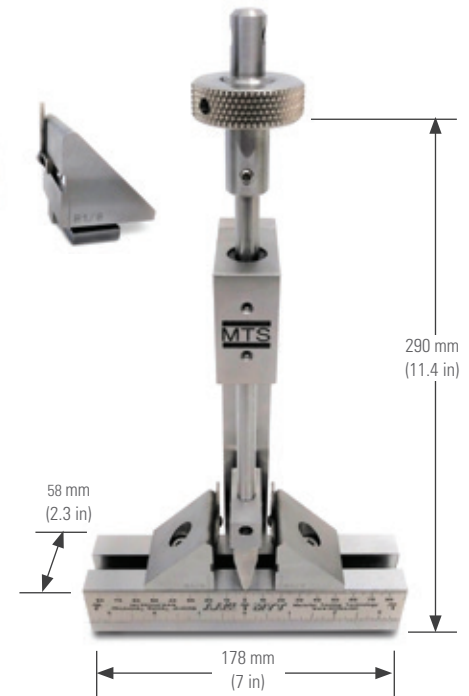
- » Recommended to test in accordance with ASTM D5379/D5379M
- » Constructed out of high quality stainless steel
- » Supported Specimen Dimensions:
 - Width: 19 mm (0.75 in)
 - Thickness: 0.76 - 12.7 mm (0.03 -0.5 in)
 - Length: 76 mm (3.0 in)
 - Notch: 90 degree with 1.27 mm (0.05 in) radius minimum
- » Includes adjustable wedges
- » Requires threaded adapter for top and compression platen for bottom mounting (*purchased separately*)



Static Force	Temperature Rating	Weight	Dimensions	Mounting Thread Insert Sizes	Part Number
44 kN (10 kip)	-152 to 318°C (-240 to 600°F)	≈ 6.8 kg (15 lbs)	153 mm (6 in) x 89 mm (3.5 in) x 115 mm (4.5 in)	1/2"- 20	100-087-239

Short-Beam Strength Fixture

- » Recommended to test in accordance with ASTM D2344 (*please contact MTS for fixture in accordance to ASTM D2344M*)
- » Constructed out of high quality stainless steel
- » Supported Specimen Dimensions:
 - Maximum Width: 38 mm (1.5 in)
 - Maximum Thickness: 50 mm (2 in)
 - Maximum Length: 152 mm (6 in)
- » Adjustable support span
- » Supports include specimen center tabs for accurate specimen alignment
- » Requires female clevis adapter or compression platen for top and threaded adapter or compression platen for bottom mounting (*purchased separately*)



Lower Fixture Span	Loading Nose Diameter	Supports Diameter	Loading Nose / Supports Width
3.2 - 152 mm (0.125 - 6 in)	6.35 mm (0.25 in)	3.175 mm (0.125 in)	38 mm (1.5 in)

Static Force	Temperature Rating	Weight	Dimensions	Top Mounting Male Clevis	Bottom Mounting Thread Insert Sizes	Part Number
8.9 kN (2 kip)	-152 to 318°C (-240 to 600°F)	≈ 6.8 kg (15 lbs)	178 mm (7 in) x 58 mm (2.3 in) x 290 mm (11.4 in)*	12 mm (Type 0)	1/2"- 20	100-351-821

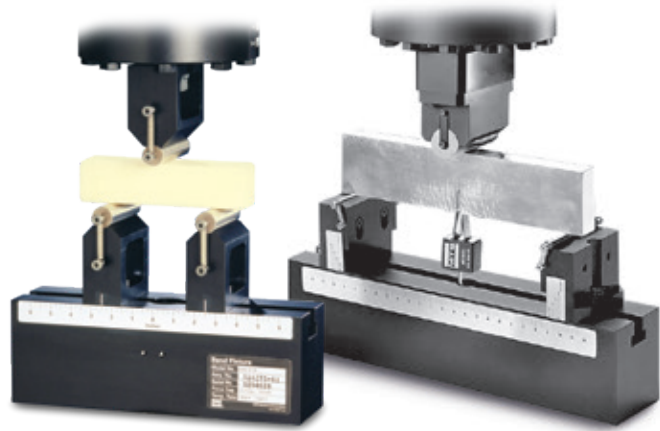
* Plus any specimen up to 51 mm (2 in)

Additional Loading Nose and Supports

Standard	Material	Lower Fixture Span	Loading Nose Diameter	Set of Supports Diameter	Loading Nose / Supports Width	Part Number
ISO 14130	High quality stainless steel	4 - 152 mm (0.157 - 6 in)	10 mm (0.394 in)	–	38 mm (1.5 in)	100-352-347
			–	4 mm (0.157 in)		100-352-348

Bend Fixtures

MTS Model 642 Bend Fixtures are configured to meet a variety of testing requirements. The fixtures have adjustable spans with easy-to-use, permanently attached scales for equal positioning of the rollers. The hardened rollers ensure test result accuracy by reducing undesirable loading and frictional forces on the specimen. All models can be used for both 3- and 4-point tests.



Models 642.01 and 642.10 Recommended for Polymer Matrix Composites

Method		Standard	Fixture Options
Laminae & Laminate	Flexure	ISO 14125	Model 642.01 3- & 4-Point Bend Fixture with Roller Assembly Size 10 mm (diameter) for specimen thickness of 4 mm
		ASTM D7264	Model 642.01 or 642.10 3- & 4-Point Bend Fixture with Roller Assembly Size 10 mm (diameter)
		EN 2562	Model 642.10 3-Point Bend Fixture with Roller Assembly Size 25 mm (diameter - loading) & 10 mm (diameter - support)
		EN 2746	Model 642.01 3- & 4-Point Bend Fixture with Roller Assembly Size 10 mm (loading) & 4 mm (support) Diameter

Model	Type	Upper Fixture Span	Lower Fixture Span	Force Rating*	Combined Height**	Part Number
642.01A-01	3-point bend fixture	N/A	24-152 mm (0.94 - 6.0 in)***	10 kN (2.2 kip)	172 mm (6.8 in)	051-427-701
642.01A-02	3- & 4-point bend fixture	24 - 76 mm (0.94 - 3.0 in)***	24-152 mm (0.94 - 6.0 in)***	10 kN (2.2 kip)	243 mm (9.6 in)	051-427-801
642.10B-01	3- point bend fixture	N/A	38-305 mm (1.5 - 12.0 in)****	100 kN (22 kip)	273 mm (10.75 in)	050-032-601
642.10B-02	3- & 4-point bend fixture	53 - 152 mm (2.08 - 6.0 in)****	38-305 mm (1.5 - 12.0 in)****	100 kN (22 kip)	356 mm (14.00 in)	050-032-701
642.25B-01	3- point bend fixture	N/A	79-610 mm (3.12 - 24.0 in)*****	250 kN (55 kip)	470 mm (18.50 in)	050-876-201
642.25B-02	3- & 4-point bend fixture	50.8 - 203 mm (2 - 8 in)*****	79-610 mm (3.12 - 24.0 in)*****	250 kN (55 kip)	660 mm (26.00 in)	050-876-301

Temperature range: -129°C to 149°C (-200°F to 300°F)

* Static and dynamic force rating depends upon roller diameter.

** Dimension depends upon roller diameter. Largest roller diameter shown.

*** Dimension depends upon roller diameter. 6.35 mm (0.25 in) roller diameter shown.

**** Dimension depends upon roller diameter. 25 mm (1 in) roller diameter shown.

***** Dimension depends upon roller diameter. 50.8 mm (2 in) roller diameter shown.

Model 642.01 Roller Assemblies*

Diameter	Part Number
5 mm	051-284-601
10 mm	051-284-603
0.25 in	051-284-602
0.50 in	051-284-604

Model 642.10 Roller Assemblies*

Diameter	Part Number	Diameter	Part Number
5 mm	049-578-501	0.25 in	049-578-502
10 mm	049-578-503	0.375 in	049-578-510
15 mm	049-578-505	0.50 in	049-578-504
20 mm	049-578-507	0.75 in	049-578-506
25 mm	049-578-509	1.00 in	049-578-508

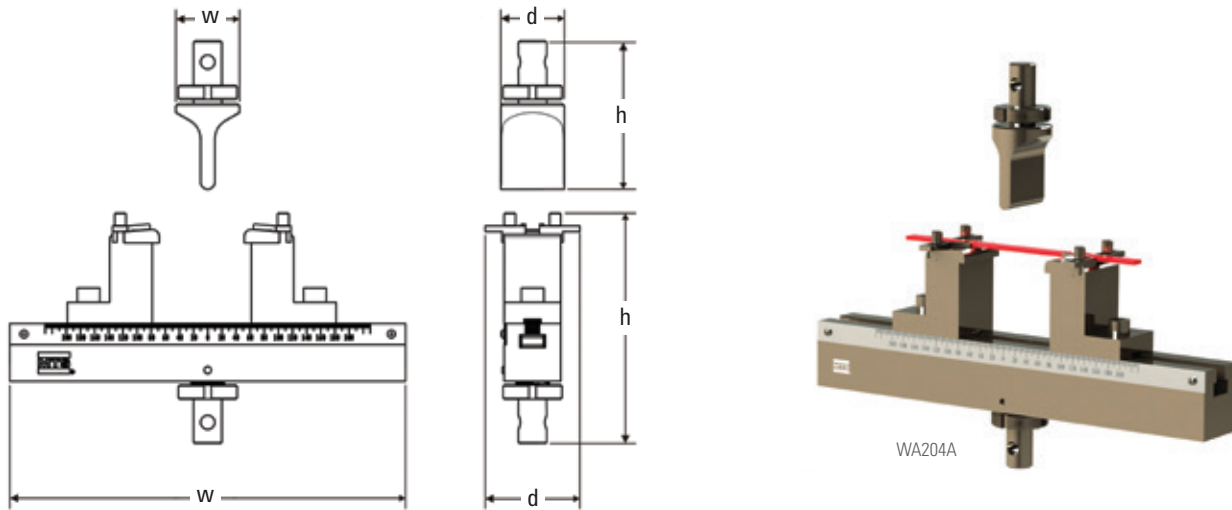
*Includes one roller and attachment springs.

Order quantity 3 for 3-point bend and 4 for 4-point bend configurations.

Roller assemblies listed above are not included with bend fixtures and must be purchased separately.

MTS Exceed® 3-Point Bend Fixtures

- » Loading edge and supports can be changed to optional parts or customized designs
- » Fast and accurate specimen positioning with centering device
- » Adjustable stepless lower span on the support beam



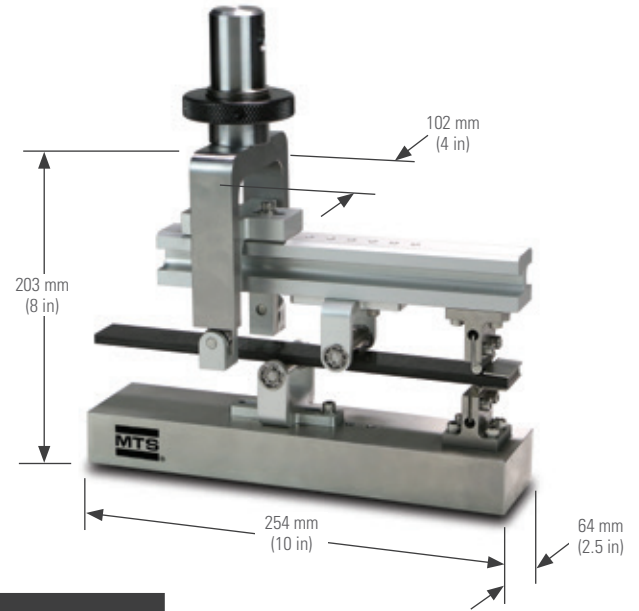
Method	Standard	Fixture Options
Laminae & Laminate Flexure	ISO 14125 (3P)	Model WA204A with Loading Edge R5 Supporting R2 or R5
	ISO 14130	Model WA204A with Loading Edge R5 Supporting R2
	ASTM D7264	Model WA204A with Loading Edge R5 Supporting R5
	EN 2377	Model WA204A with Loading Edge R5 Supporting R2
	EN 2746	Model WA204A with Loading Edge R5 Supporting R2

Specifications

Model	WA204A
Description	20 kN Bend fixture, plastics
Rated Force	20 kN (4,500 lbf)
Temperature Range	Room temperature
Weight (upper)	670 g (1.5 lb)
Weight (lower)	9.22 kg (20.3 lb)
Adapter style (upper part)	20 mm (0.8 in)
Adapter style (lower part)	20 mm (0.8 in)
Dimensions (h*w*d) (upper part)	108 × 42 × 42 mm (4.3 × 1.7 × 1.7 in)
Dimensions (h*w*d) (lower part)	180 × 340 × 88 mm (7.1 × 13.4 × 3.5 in)
Loading Edge	R5
Supporting	R2 & R5
Maximum Span	200 mm (7.9 in)
Maximum Specimen Width	45 mm (1.8 in)
Part Number	100-302-795

Mixed Mode Bending Fixture

- » Recommended to test in accordance with ASTM D6671/D6671M
- » Constructed out of high quality stainless steel and aluminum
- » Supported specimen dimensions:
 - Maximum width: 38 mm (1.5 in)
 - Maximum thickness: 6.35 mm (0.25 in)
 - Maximum length: 228 mm (9.0 in)
- » Includes 5 sets of specimen hinges
- » Requires threaded adapter for top and compression platen for bottom mounting (*purchased separately*)

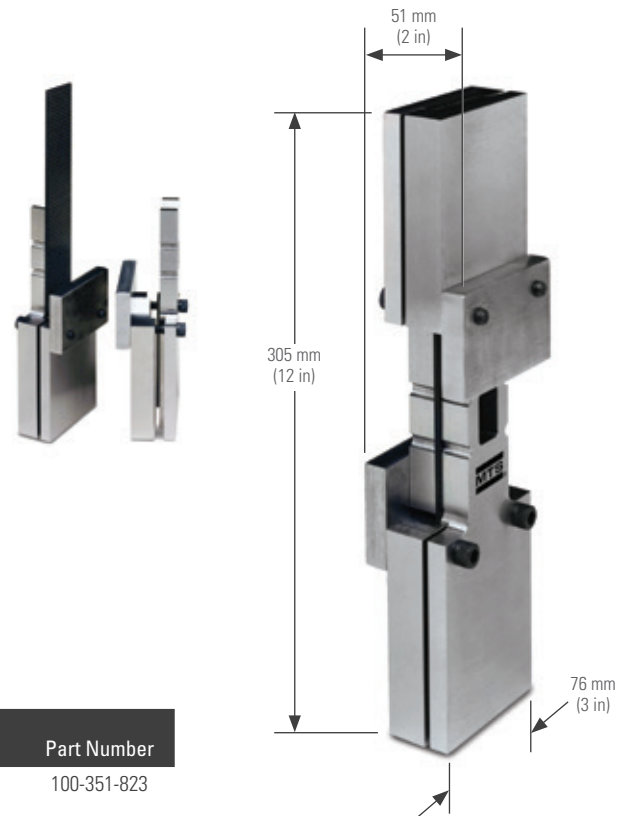


Static Force	Temperature Rating	Weight	Dimensions	Top Mounting Threaded Stud Sizes	Part Number
4.4 kN (1 kip)	-85 to 122°C (-120 to 250°F)	≈ 7.3 kg (16 lbs)	254 mm (10 in) x 102 mm (4 in) x 203 mm (8 in)	1/4" - 28	100-351-822

Open / Filled Hole Compression Fixture

- » Recommended to test in accordance with ASTM D6484, ASTM D6742 and BS 07260 (please contact MTS for fixture in accordance to ASTM D6484M and ASTM D6742M)
- » Constructed out of high quality stainless steel
- » Supported specimen dimensions:
 - Width: 38 mm (1.5 in)
 - Maximum thickness: 12.7 mm (0.5 in)
 - Maximum length: 305 mm (12 in)
- » Requires compression platens or hydraulic grips for mounting (*purchased separately*)

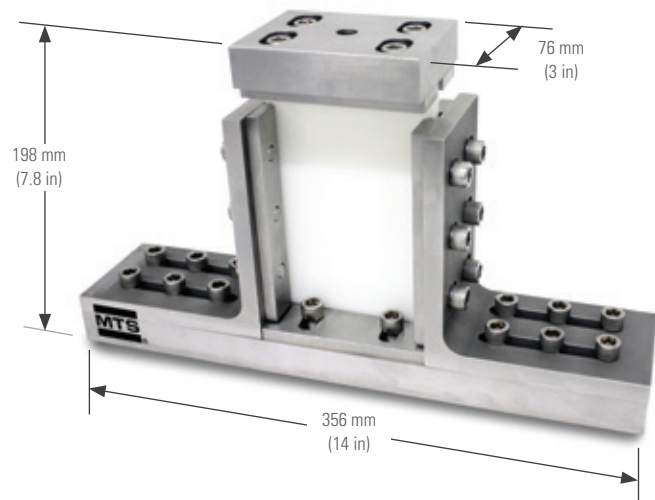
Note: Fixture thickness for gripping = 30 mm (1.18 in) + specimen thickness



Static Force	Temperature Rating	Weight	Dimensions	Part Number
222 kN (50 kip)	-152 to 318°C (-240 to 600°F)	≈ 6.8 kg (15 lbs)	76 mm (3 in) x 51 mm (2 in) x 305 mm (12 in)	100-351-823

Compression After Impact Test Fixture

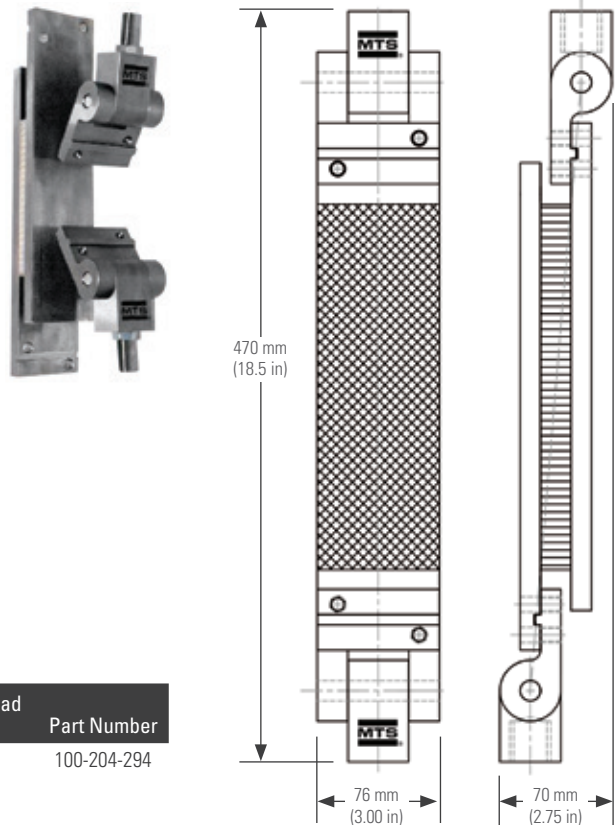
- » Recommended to test in accordance with ASTM D7137 (please contact MTS for fixture in accordance to ASTM D7137M)
- » Constructed out of high quality stainless steel
- » Supported specimen dimensions:
 - Width: 102 mm (4 in)
 - Thickness: 3.175 - 12.7 mm (0.125 - 0.500 in)
 - Length: 152 mm (6 in)
- » Requires threaded adapter for top and compression platen for bottom mounting (*purchased separately*)



Static Force	Temperature Rating	Weight	Dimensions	Mounting Thread Insert Sizes	Part Number
222 kN (50,000 lbs)	-152 to 318°C (-240 to 600°F)	≈ 16 kg (35 lbs)	356 mm (14 in) x 76 mm (3 in) x 198 mm (7.8 in)	1/2" - 13	100-351-824

Flatwise Plane Shear Fixture, Tensile Mode

- » Recommended to test in accordance with ASTM C273/C273M and ASTM C394/C394M (*Fatigue*)
- » Constructed out of high quality stainless steel
- » Includes three sets of aluminum bonding plates
- » Supported specimen dimensions:
 - Maximum width: 76 mm (3 in)
 - Thickness: 6.3 - 19.1 mm (0.25 - 0.75 in)
(*optional plates for thicker samples on request*)
 - Maximum length: 229 mm (9 in)
- » Requires threaded adapter for top and bottom mounting (*purchased separately*)

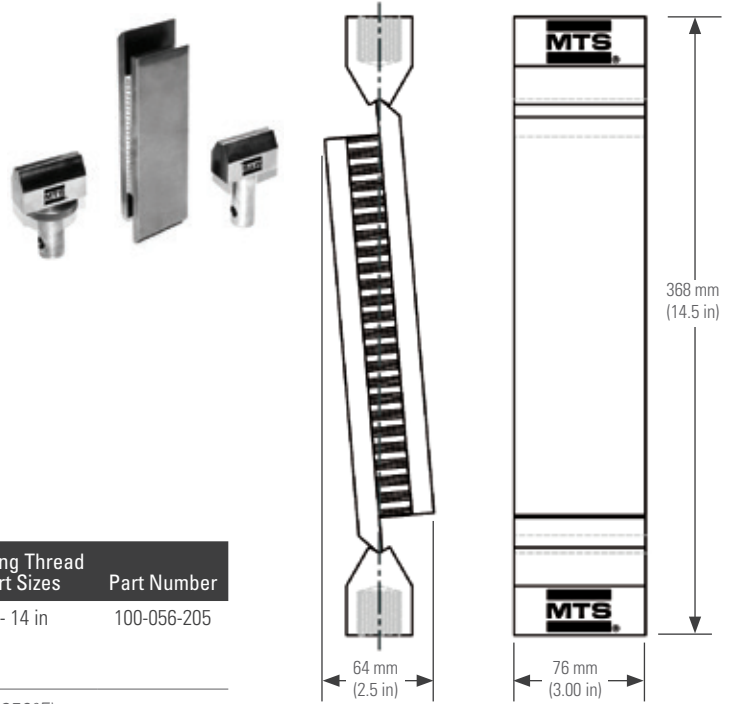


Static Force	Temperature Rating*	Weight	Dimensions	Mounting Thread Insert Sizes	Part Number
89 kN (20 kip)	-152 to 318°C (-152 to 600°F)	≈ 14.5 kg (32 lbs)	76 mm (3 in) x 70 mm (2.75 in) x 470 mm (18.5 in)	1" - 14	100-204-294

* Temperature Range of Aluminum Bonding Plates -85 to 122°C (-120 to 250°F).

Flatwise Plane Shear Fixture, Compression Mode

- » Recommended to test in accordance with ASTM C273/C273M and ASTM C394/C394M (*Fatigue*)
- » Constructed out of high quality stainless steel
- » Includes three sets of aluminum bonding plates
- » Supported specimen dimensions:
 - Maximum width: 76 mm (3 in)
 - Thickness: 6.3 - 19.1 mm (0.25 - 0.75 in)
(optional plates for thicker samples on request)
 - Maximum length: 229 mm (9 in)
- » Requires threaded adapter for top and bottom mounting (*purchased separately*)

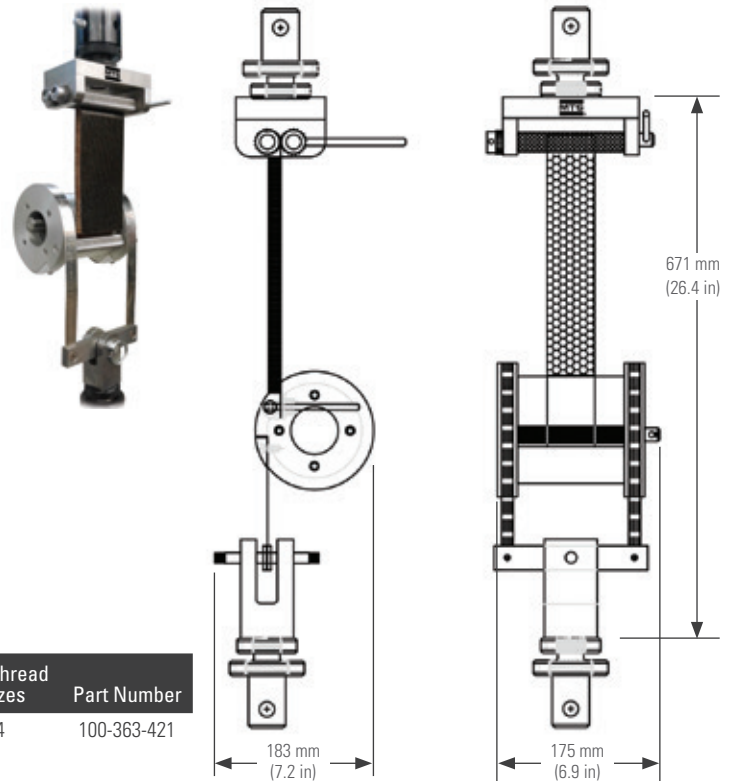


Static Force	Temperature Rating*	Weight	Dimensions	Mounting Thread Insert Sizes	Part Number
89 kN (20 kip)	-152 to 318°C (-152 to 600°F)	≈ 14.5 kg (32 lbs)	76 mm (3 in) x 64 mm (2.5 in) x 368 mm (14.5 in)	1 - 14 in	100-056-205

* Temperature Range of Aluminum Bonding Plates -85 to 122°C (-120 to 250°F).

Climbing Drum Peel Fixture with Roller Type Grips

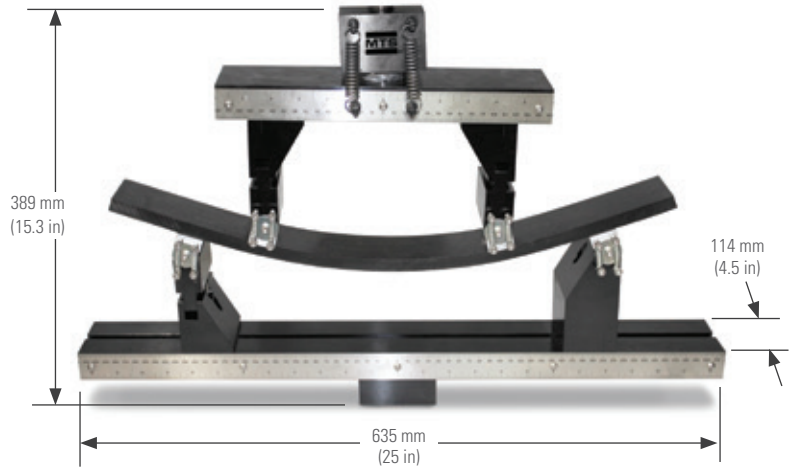
- » Recommended to test in accordance with ASTM D1781 (please contact MTS for fixture in accordance to ASTM D1781M)
- » Constructed out of high quality stainless steel with an aluminum drum
- » Supported specimen dimensions:
 - Width: 25.4 - 102 mm (1 - 4 in)
 - Thickness: 0.762 - 25.4 mm (0.03 - 1 in)
 - Length: 254 mm (10 in)
- » Includes Type D Male Clevis Adapters for top and bottom mounting



Static Force	Temperature Rating	Weight	Dimensions	Mounting Thread Insert Sizes	Part Number
2.2 kN (0.5 kip)	-85 to 122°C (-120 to 250°F)	≈ 13.6 kg (30 lbs)	183 mm (7.2 in) x 175 mm (6.9 in) x 671 mm (26.4 in)	1" - 14	100-363-421

Three & Four Point Sandwich Beam Flexure / Shear Fixture

- » Recommended to test in accordance with ASTM C393/C393M, ASTM D5467/D5467M, ASTM D7249/D7249M and ASTM D7250/D7250M
- » Constructed out of high strength steel with a durable black oxide finish (except for rollers and pads)
- » Supported specimen dimensions:
 - Maximum width: 100 mm (4 in)
 - Maximum length: 610 mm (24 in)
- » Adjustable loading and support spans
- » Loading and support bars are supplied with loading pins and flat steel loading blocks held in alignment with springs (rubber pads not included)
- » Requires threaded adapter for top and bottom mounting (*purchased separately*)



Upper Fixture Span	Lower Fixture Span	Loading Pins Diameter	Support Pins Diameter	Loading & Support Pins Width
51- 305 mm (2 - 12 in))	152 - 610 mm (6 - 24 in)	25.4 mm (1 in)	25.4 mm (1 in)	100 mm (4 in)

Static Force	Temperature Rating	Weight	Dimensions	Mounting Thread Insert Sizes	Part Number
11 kN (2.5 kip)	-85 to 122°C (-120 to 250°F)	≈ 52 kg (114 lbs)	635 mm (25 in) x 114 mm (4.5 in) x 389 mm (15.3 in)	1"- 14	100-351-826

* Plus specimen thickness

Regional Business Centers

THE AMERICAS

MTS Systems Corporation

14000 Technology Drive
Eden Prairie, MN 55344-2290
USA
Telephone: 952-937-4000
Toll Free: 800-328-2255
E-mail: info@mts.com
Internet: www.mts.com

EUROPE

MTS Systems France

BAT EXA 16
16/18 rue Eugène Dupuis
94046 Créteil Cedex
France
Telephone: +33-(0)1-58 43 90 00
E-mail: contact.france@mts.com

MTS Systems (Germany) GmbH

Hohentwielsteig 3
14163 Berlin
Germany
Telephone: +49-(0)30 81002-0
E-mail: euroinfo@mts.com

MTS Systems S.R.L. a socio unico

Strada Pianezza 289
10151 Torino
Italy
Telephone: +39-(0)11 45175 11 sel. pass.
E-mail: mtstorino@mts.com

MTS Systems Norden AB

Datavägen 37b
SE-436 32 Askim
Sweden
Telephone: +46-(0)31-68 69 99
E-mail: norden@mts.com

MTS Systems Limited

98 Church Street,
Hunslet,
Leeds
LS102AZ
United Kingdom
Telephone: +44 (0) 113 270 8011
E-mail: mtsukesales@mts.com

ASIA/PACIFIC

MTS Japan Ltd.

Raiden Bldg. 3F 3-22-6,
Ryogoku, Sumida-ku,
Tokyo 130- 0026
Japan
Telephone: +81 3 5638 0850
E-mail: mts-j-info@mts.com

MTS Korea, Inc.

2nd F, Bundang Yemiji Building, 31,
Hwangsaeul-ro 258beon-gil,
Bundang-gu, Seongnam-si,
Gyeonggi-do, 13595
Korea
Telephone: +82-31-728-1600
E-mail: mtsk-info@mts.com

MTS Systems (China) Co., Ltd.

Floor 34, Building B,
New Caohejing International
Business Center,
No.391, Guiping Road,
Xuhui District
Shanghai 200233
P.R.China
Telephone: +021-24151000
Market: +021-24151111
Sales: +021-24151188
Service: +021-24151198
E-mail: MTSC-Info@mts.com

MTS Testing Solutions Pvt Ltd.

Unit No. 201 & 202, Second Floor
Donata Radiance,
Krishna Nagar Industrial Layout,
Koramangala, Bangalore - 560029
Karnataka, India
Telephone: + 91 80 46254100
Email: mts.india@mts.com



MTS Systems Corporation
14000 Technology Drive
Eden Prairie, MN 55344-2290 USA

ISO 9001 Certified QMS
<http://www.mts.com>

MTS is a registered trademark and Advantage is a trademark of MTS Systems Corporation in the United States. These trademarks may be protected in other countries. RTM No. 211177.

© 2024 MTS Systems Corporation
100-361-090e CompositesFixtures • Printed in U.S.A. • 01/24